

THIS DRAWING IS UNPUBLISHED. RELEASED FOR PUBLICATION
 © COPYRIGHT BY TYCO ELECTRONICS CORPORATION. ALL RIGHTS RESERVED.

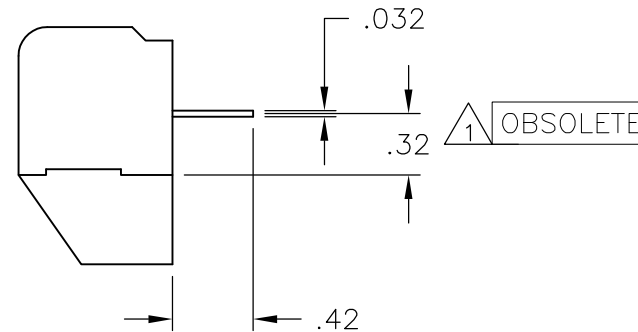
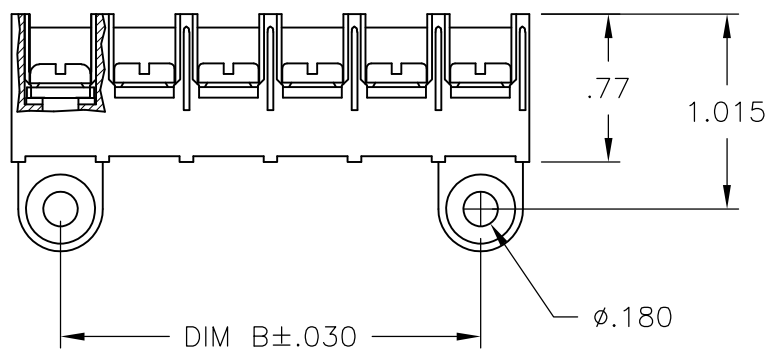
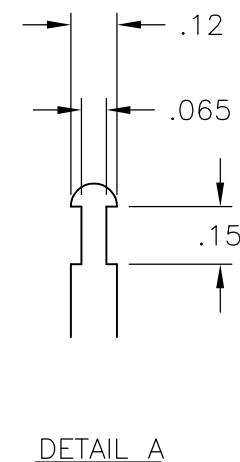
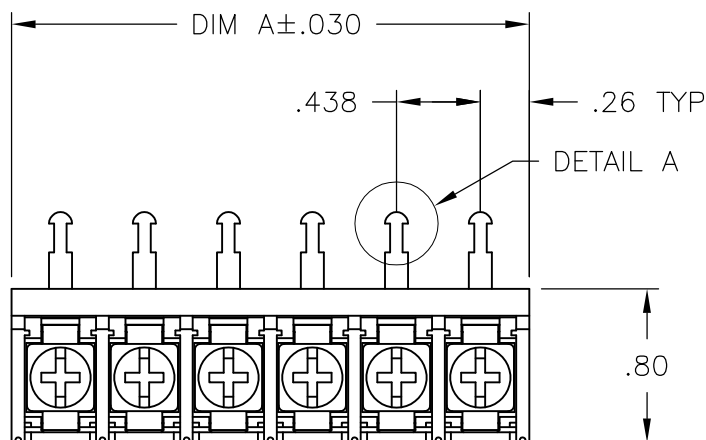
LOC	DIST	REVISIONS					
FT	0	P	LTR	DESCRIPTION	DATE	DWN	APVD
		C		REVISED PER ECO-10-004812	06MAY10	HMR	CR

MATERIAL:
 HOUSING: THERMOPLASTIC, UL94V-0, BLACK.
 TERMINALS: BRIGHT TIN PLATED COPPER ALLOY.
 SCREWS: 8-32 ZINC PLATED STEEL.

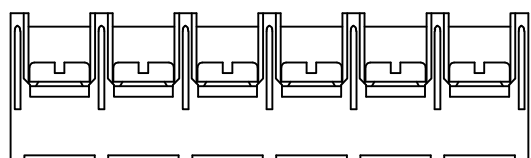
ELECTRICAL:
 CURRENT RATING: 30A
 VOLTAGE RATING: 600V
 WIRE RANGE: 10-18 AWG (UL)
 10-22 AWG (CSA)

ENVIRONMENTAL:
 RECOMMENDED TORQUE: 12 IN-LB
 OPERATING TEMP.: -40°C TO +120°C

1 OBSOLETE PARTS: OBSOLETE CIS STREAMLINING PER D.RENAUD/D.SINISI



DIM. B	DIM. A	NO. OF POS.	CATALOG NUMBER	TE PART NO.
8.313	8.823	20	8STR-20-006	2-1546038-0
7.875	8.385	19	8STR-19-006	1-1546038-9
7.438	7.948	18	8STR-18-006	1-1546038-8
7.000	7.510	17	8STR-17-006	1-1546038-7
6.563	7.073	16	8STR-16-006	1-1546038-6
6.125	6.635	15	8STR-15-006	1-1546038-5
5.688	6.198	14	8STR-14-006	1-1546038-4
5.250	5.760	13	8STR-13-006	1-1546038-3
4.813	5.323	12	8STR-12-006	1-1546038-2
4.375	4.885	11	8STR-11-006	1-1546038-1
3.938	4.448	10	8STR-10-006	1-1546038-0
3.500	4.010	9	8STR-09-006	1546038-9
3.063	3.573	8	8STR-08-006	1546038-8
2.625	3.135	7	8STR-07-006	1546038-1
-	2.698	6	8STR-06-626	2-1546038-1
2.188	2.698	6	8STR-06-006	1546038-6
1.750	2.260	5	8STR-05-006	1546038-5
1.313	1.823	4	8STR-04-006	1546160-4
.875	1.385	3	8STR-03-006	3-1437659-6
.438	.948	2	8STR-02-006	1546160-2



1 OBSOLETE ~~2-1546038-1~~

THIS DRAWING IS A CONTROLLED DOCUMENT.		DWN S SCHLEGEL 13SEP05	Tyco Electronics Corporation Harrisburg, PA 17105-3608	
DIMENSIONS: INCHES		CHK S YODER 9/13/05	NAME	
TOLERANCES UNLESS OTHERWISE SPECIFIED:		APVD S YODER 9/13/05	8STR-XX-006 ASSEMBLY	
0 PLC ± -		PRODUCT SPEC	SIZE	CAGE CODE
1 PLC ± -		APPLICATION SPEC	A3	00779
2 PLC ± .02		WEIGHT	C-3-1437659-6	
3 PLC ± .010		CUSTOMER DRAWING	SCALE	SHEET
4 PLC ± -			1:1	1 OF 1
ANGLES ± -			REV	C
FINISH				